

PLEASE CHECK WWW.MOLEX.COM FOR LATEST PART INFORMATION

Part Number: [0681450815](#)
Status: **Active**
Description: 2.50mm (.098") Pitch Wire-to-Board Header, 1.02mm (.040") Tab Type, Vertical, 8 Circuits, Gray

Documents:

[3D Model](#) [Product Specification PS-68145-002 \(PDF\)](#)
[Drawing \(PDF\)](#) [RoHS Certificate of Compliance \(PDF\)](#)

General

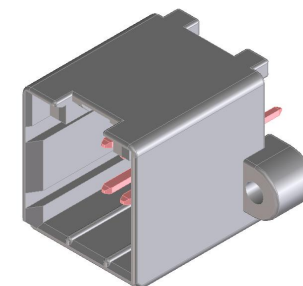
Product Family	PCB Headers
Series	68145
Application	Wire-to-Board
Product Name	N/A

Physical

Breakaway	No
Circuits (Loaded)	8
Circuits (maximum)	8
Color - Resin	Gray
First Mate / Last Break	No
Glow-Wire Compliant	No
Guide to Mating Part	No
Keying to Mating Part	None
Lock to Mating Part	Yes
Material - Metal	Brass
Material - Plating Mating	Tin
Material - Plating Termination	Tin
Material - Resin	Polyester
Number of Rows	2
Orientation	Vertical
PC Tail Length (in)	0.146 In
PC Tail Length (mm)	3.70 mm
PCB Locator	No
PCB Retention	Yes
Packaging Type	Tray
Pitch - Mating Interface (in)	0.098 In
Pitch - Mating Interface (mm)	2.50 mm
Pitch - Term. Interface (in)	0.098 In
Pitch - Term. Interface (mm)	2.50 mm
Plating min: Mating (µin)	32
Plating min: Mating (µm)	0.80
Plating min: Termination (µin)	32
Plating min: Termination (µm)	0.80
Polarized to Mating Part	Yes
Polarized to PCB	No
Shrouded	Closed Ends
Stackable	No
Surface Mount Compatible (SMC)	No
Temperature Range - Operating	-30°C to +85°C
Termination Interface: Style	Through Hole

Electrical

Current - Maximum per Contact	5A
Voltage - Maximum	13V



Series
image - Reference only

EU RoHS

ELV and RoHS Compliant
REACH SVHC
 Not Reviewed
Halogen-Free Status

China RoHS



Need more information on product environmental compliance?

Email productcompliance@molex.com
 For a multiple part number RoHS Certificate of Compliance, [click here](#)

Please visit the [Contact Us](#) section for any non-product compliance questions.

Search Parts in this Series

[68145Series](#)

Mates With

[68508 Crimp Housing](#)

Material Info

Reference - Drawing Numbers

Product Specification

PS-68145-002

Sales Drawing

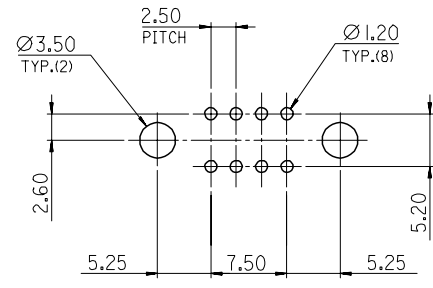
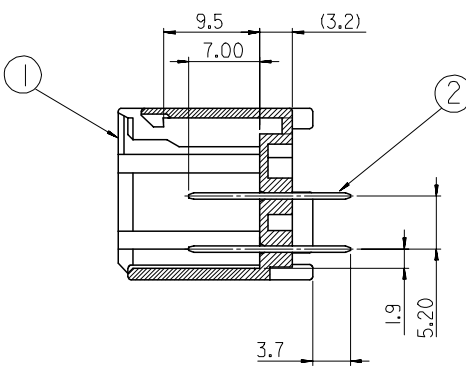
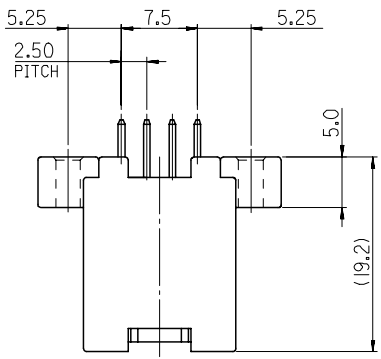
SD-68145-208

This document was generated on 04/07/2010

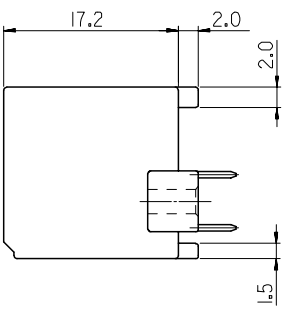
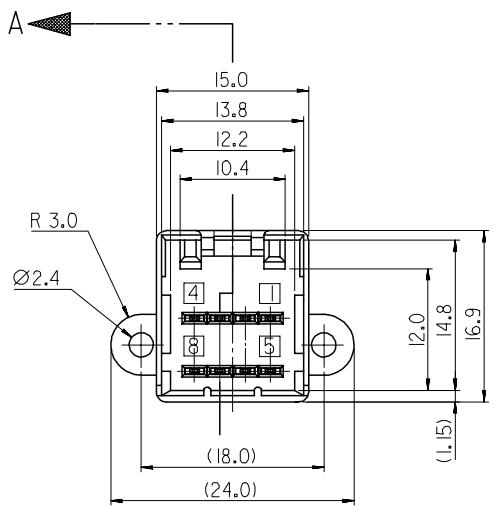
PLEASE CHECK WWW.MOLEX.COM FOR LATEST PART INFORMATION

DWG. NO. SD-68145-208
 SIMILAR ITEM
 PROJECT NO.
 B
 DO NOT SCALE DRAWING DIMENSION IN METRIC

NO.	PART NO.	COLOR
1	68145-0811	BLACK
2	68145-0815	GRAY
3	68145-0816	WHITE



SECTION A-A



NOTES

1. APPLICABLE FEMALE HOUSING : 68508-081*

NO.	DESCRIPTION	MATERIAL	REMARK
①	HOUSING	PBT, G/F 15%	UL94HB
②	PIN	BRASS	PRE-TIN PLATED

ADDED OF PART ECN NO. KOR2006-0147 DRWN: E.O. KIM 06/06/01 CHK: B.C. YOON 06/06/01 APPR: S.H. CHOI 06/06/01	QUALITY SYMBOLS MAJOR CRITICAL C	GENERAL TOLERANCES: (UNLESS SPECIFIED)		SCALE 2:1	DESIGN UNITS <input checked="" type="checkbox"/> mm <input type="checkbox"/> INCH	THIRD ANGLE PROJECTION <input checked="" type="checkbox"/> mm <input type="checkbox"/> INCH	DIMENSIONS: <input type="checkbox"/> mm <input type="checkbox"/> INCH <input checked="" type="checkbox"/> mm ONLY	SHT REV		
		4 PLACES ±0. ±-	3 PLACES ±0. ±-	2 PLACES ±0.25 ±-	1 PLACE ±0.30 ±-	DRAWN BY & DATE B.C. YOON 02/08/05	TITLE: .040 WIRE TO BOARD CONNECTOR 8P HEADER ASS'Y (VTL)			REVISE ON CAD ONLY
		ANGULAR: ± °				CHECKED BY & DATE Y. SIK. KIM 02/08/05	MOLEX INCORPORATED			
		DRAFT WHERE APPLICABLE MUST REMAIN WITHIN DIMENSIONS				APPROVED BY & DATE C.W. LEE 02/08/05	CAD FILENAME S681458C.DGN	MATERIAL NO. SEE TABLE	DRAWING NO. SD-68145-208	SHEET NO. 1 OF 1

THIS DRAWING CONTAINS INFORMATION THAT IS PROPRIETARY TO MOLEX INCORPORATED AND SHOULD NOT BE USED WITHOUT WRITTEN PERMISSION.